

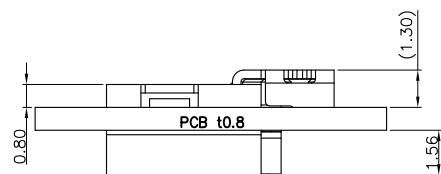
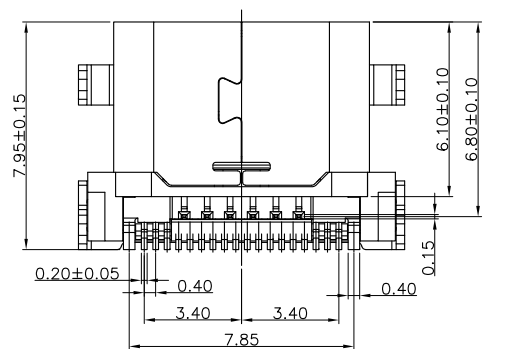
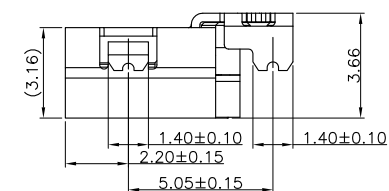
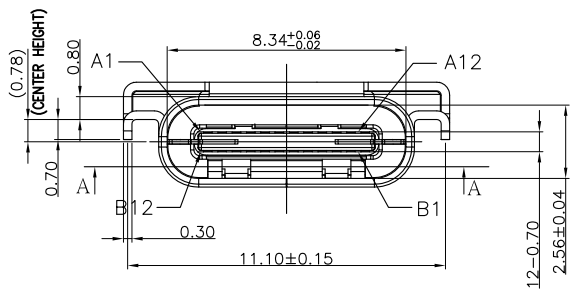
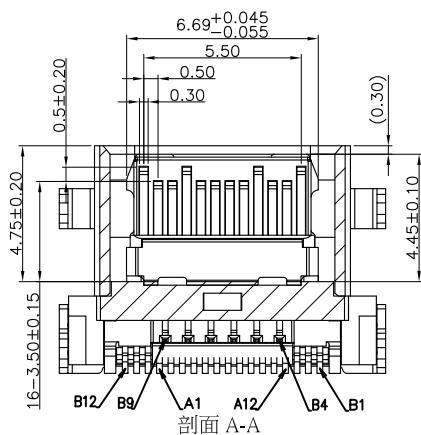
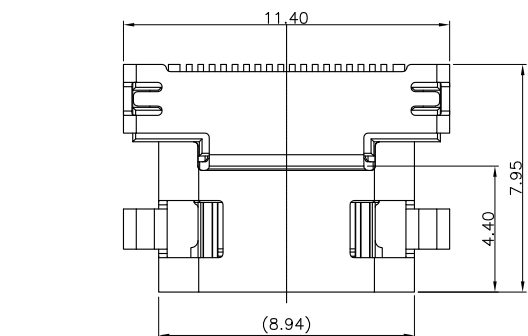
REV	ECN NO.	DISCRIPTION	CHEKED/DATE	APPD/DATE

NOTES: 1.MATERIAL:  
MOLDING: LCP UL94 V-0  
CONTACT:COPPER ALLOY.  
GOLD PLATED Min ON CONTACT AREA,100u"  
Min TIN (LEAD FREE) ON SOLDER AREA,  
SHELL: SUS304-H,T=0.30±0.03mm  
50u" NICKEL PLATING OVER ALL.  
SHILD:SUS304-H,T=0.12±0.03mm

2.MECHANICAL:  
INSERTION: 5~20N.  
EXTRACTION: 8~20N AFTER TEST.  
DURABILITY: 10000 CYCLES

3.ELECTRICAL:  
CURRENT: 5A FOR VBUS;  
1.25A FOR GND PIN.  
0.25A FOR OTHER.  
VOLTAGE: 20 V MAX  
WITHSTANDING VOLTAGE: 100V AC R.M.S.  
CONTACT RESISTANCE: 40mΩ MAX.  
INSULATION RESISTANCE: 100MΩ MIN.

4.ENVIRONMENTAL  
TEMPERATURE RANGE -25°C ~ +85°C



MOUNTING CONDITION (REF.)

USCX-24FX-XXMX-33

- 1-G.P
- 2-RoHS
- 3-REACH
- 4-HF/无卤
- 1-卷带包装
- 2-PVC盒
- N-可焊镍
- S-雾锡
- T-亮锡
- A-金
- K-黑色
- N-本色

# 深圳市精拓金电子有限公司

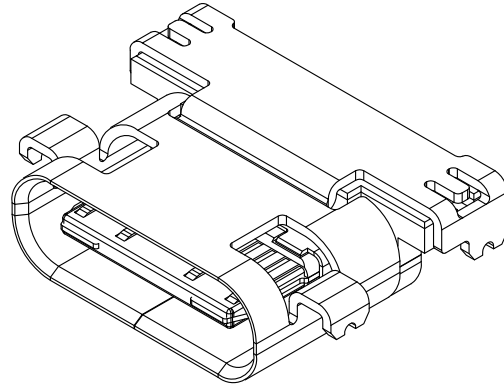
.X: ±0.25	X: ±1°	APP.		DWG NO.	LZUC30033 (CU)
.XX: ±0.15	.X: ±0.5°	CHK.		TITLE	USB 3.1 C TYPE 沉板 DIP+SMT成品 短体7.95L 四脚插板
.XXX: ±0.05	.XX: ±0.02°	DGN.	朱远明 15.10.28	SERIES	
UNIT	mm	DRW.	朱远明 15.10.28		
SCALE	1:1				
REV.	A0	SHEET:	1/1		

1  
2  
3  
4  
5  
6

1  
2  
3  
4  
5  
6

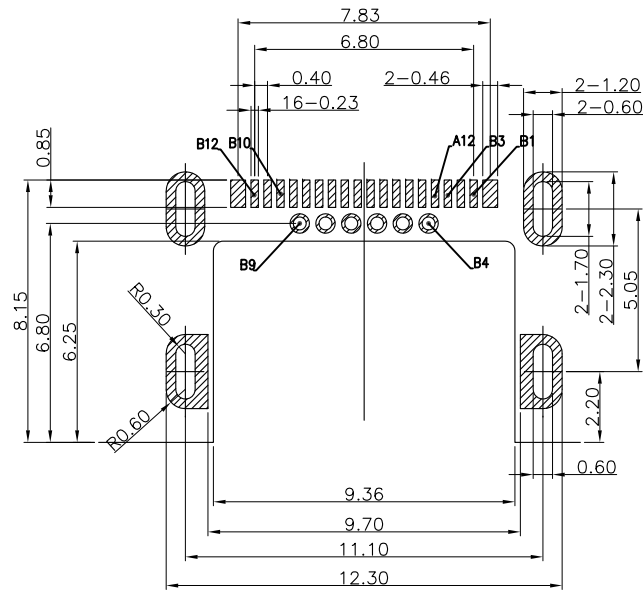
A B C D E F

REV	ECN NO.	DISCRIPTION	CHEKED/DATE	APPD/DATE



USB TYPE-C FULL-FEATURED RECEPTACLE INTERFACE PIN ASSIGNMENTS

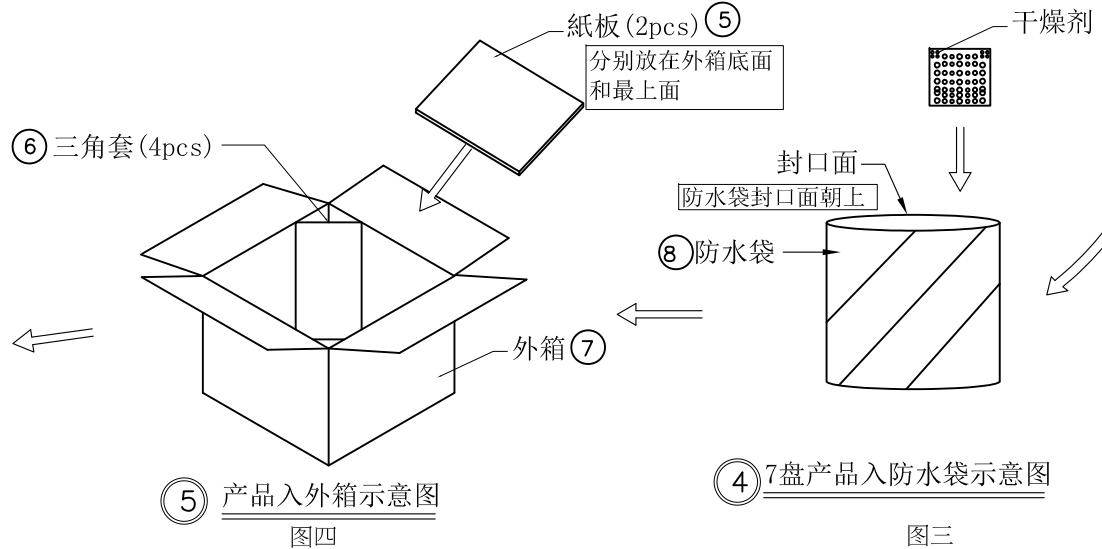
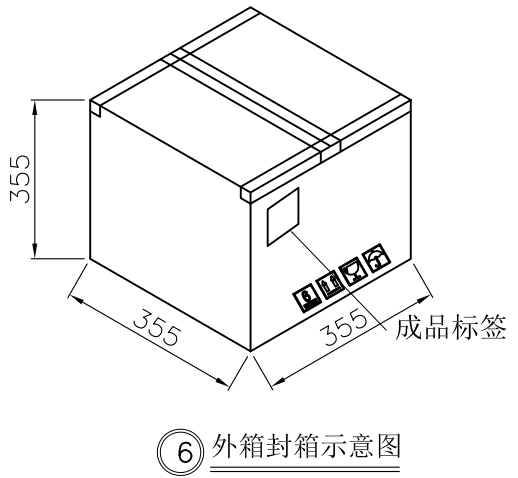
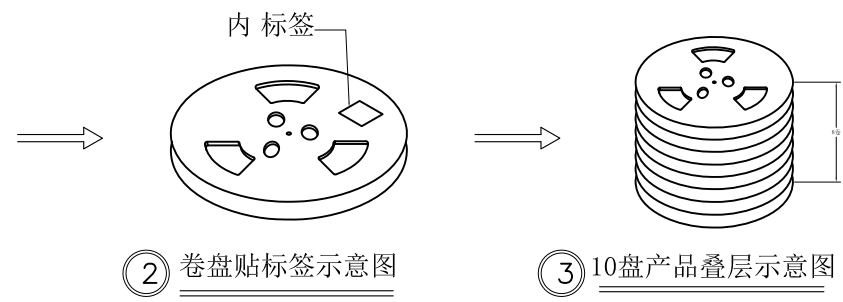
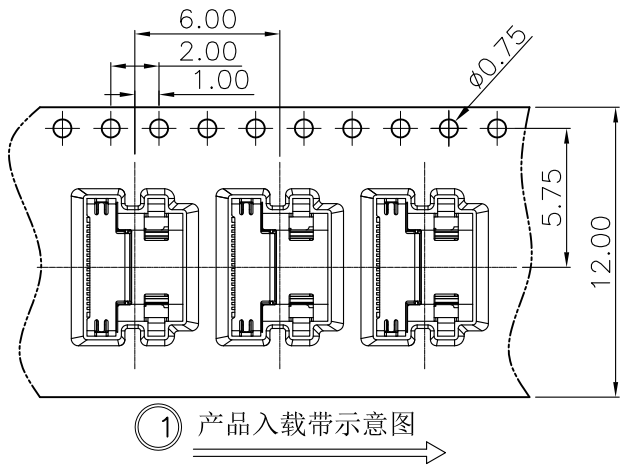
PIN	Signal Name	Description	PIN	Signal Name	Description
A1	GND	Ground return	B12	GND	Ground return
A2	SSTXp1	Positive half of first SuperSpeed TX differential pair	B11	SSRXp1	Positive half of first SuperSpeed RX differential pair
A3	SSTXn1	Negative half of first SuperSpeed TX differential pair	B10	SSRXn1	Negative half of first SuperSpeed RX differential pair
A4	VBUS	Bus Power	B9	VBUS	Bus Power
A5	CC1	Configuration Channel	B8	SBU2	Sideband Use (SBU)
A6	Dp1	Positive half of the USB 2.0 differential pair-Position 1	B7	Dn2	Negative half of the USB 2.0 differential pair-Position 2
A7	Dn1	Negative half of the USB 2.0 differential pair-Position 1	B6	Dp2	Positive half of the USB 2.0 differential pair-Position 2
A8	SBU1	Sideband Use (SBU)	B5	CC2	Configuraation Channel
A9	VBUS	Bus Power	B4	VBUS	Bus Power
A10	SSRXn2	Negative half of second SuperSpeed RX differential pair	B3	SSTXn2	Negative half of second SuperSpeed TX differential pair
A11	SSRXp2	Positive half of second SuperSpeed RX differential pair	B2	SSTXp2	Positive half of second SuperSpeed TX differential pair
A12	GND	Ground return	B1	GND	Ground return



# 深圳市精拓金电子有限公司

. X: ±0.25	. X: ±1°	APP.		DWG NO.	LZUC30033 (CU)
. XX: ±0.15	. X: ±0.5°	CHK.		TITLE	USB 3.1 C TYPE 沉板DIP+SMT成品
. XXX: ±0.05	. XX: ±0.02°	DGN.	朱远明15.10.28	SERIES	7.95L PCB LAYOUT
UNIT	mm	DRW.	朱远明15.10.28		
SCALE	1:1				
REV.	A0			SHEET: 2/2	

REV.	ECN NO.	DISCRIPTION	DRAWN/DATE	CHEKED/DATE	APPROVED/DATE



包装说明:

1. 将检验好的成品;SMT朝下放入载带底部;每卷装1000PCS产品;具体如图一所示
2. 将包装好的产品;每盘必需贴上内标签;具体如图二所示
3. 将贴好内标签的产品每10盘叠一层装入防水袋中并加一包干燥剂;装好后将防水袋封好;具体如图三图四所示
4. 先将1pcs平卡放入纸箱底部;然后将装好产品的防水袋装入纸箱中;防水袋热熔封口,封口面需朝上;并将4PCS三角套分别装入4个角;如图五所示
5. 装好后将1pcs平卡放入纸箱最上面并封好纸箱及贴好相关标签;具体如图六所示;(产品包装的标签,如客户有要求,请按客户要求包装出货)
6. 载带前面留30PCS空格,后面留20PCS空格
7. COVER与CARRY剥离力:50-125g,速度:300mm/分钟左右,剥离角度:165°-180°

## 深圳市精拓金电子有限公司

.X : ±0.50	X. : ±1°	APP.		PART NO	UC2001 (CU)
.XX : ±0.30	.X : ±0.5°	CHK.		TITLE	USB 3.1 C 沉板母座包装图
.XXX : ±0.25	.XX : ±0.02°	DGN.	朱远明 2015.10.28	SERIES	
UNIT	mm	DRW.	朱远明 2015.10.28		
SCALE	1:1				
REV.	A0	SHEET:	1/1		